

# Wheelchair accessible taxis/private hire vehicles



IPSWICH  
BOROUGH COUNCIL

Ipswich Borough Council is responsible for licensing taxis and private hire Vehicles which operate within the borough.

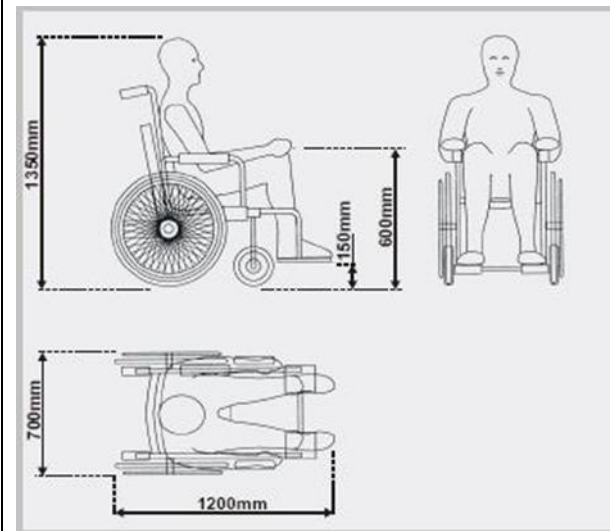
We ensure that a proportion of taxis in the borough are safety constructed and equipped to carry passengers in wheelchairs.

This document contains details of all the licensed taxis and private hire vehicles which have been designated under Section 167 of the Equality Act 2010; and where the proprietors have consented to us including additional details in this list, contact details for booking these vehicles for journeys. Please note that there is no guarantee that the driver will be able to carry out the journey requested.

When one of these vehicles is hired by or for a disabled person who is in a wheelchair, or by another person who wishes to be accompanied by a disabled person who is in a wheelchair, the driver of the vehicle must:

- a) **Carry the passenger while in their wheelchair;**
- b) **Not make any additional charge for doing so;**
- c) **If the passenger chooses to sit in a passenger seat, carry their wheelchair;**
- d) **Take such steps as are necessary to ensure that the passenger is carried in safety and reasonable comfort;**
- e) **Give the passenger such mobility assistance as is reasonably required, i.e. assistance:**
  - (i) **To enable the passenger to get into or out of the vehicle;**
  - (ii) **If the passenger wishes to remain in the wheelchair, to enable the passenger to get into and out of the vehicle while in their wheelchair;**
  - (iii) **To load the passenger's luggage into or out of the vehicle;**
  - (iv) **If the passenger does not wish to remain in the wheelchair, to load the wheelchair into or out of the vehicle**

It may not be possible for taxis to carry larger specialist or motorised wheelchairs in their vehicles if the safety of the passenger cannot be assured. The statutory duties will therefore apply to wheelchairs sized up to the dimensions of the following 'reference wheelchair':



Length:

1200 mm (approx. 48")  
including footplates

Width:

700mm (28")

Total seated height:

1350 mm (54")

Clearance under  
footplate:

150 mm (6")

If a driver has been exempted from these duties due to medical conditions which affect their ability to safely carry them out, the driver must display an official exemption certificate in their vehicle.

## Wheelchair accessible taxis/private hire vehicles

Licence Number	Registration No.	Vehicle make/model	Proprietor's name	Contact details for bookings (where consent has been given)
HV641	BX10 CNZ	CITROEN LC7	MR W SINGH	07979 366069 Anytime
HV802	MK67 WUB	FORD TOURNEO	MR G LYNCH	07921 510860 Anytime except Sundays
HV826	G20 TCB	FORD TOURNEO	MR G MORTIMER	07919 383283 Monday to Friday 9am to 2pm
HV835	SF18 BGK	FORD PROCAB	MR M MUKTA	07907 360635 Monday-Friday 10am to 2pm, Saturday-Sunday 7.30am to 4.30pm
HV815	SJ14 ASZ	MERCEDES VITO	MR M MIAH	07446 222040 Monday to Thursday and Sunday 9pm to 2am
HV807	YR71 FBU	FORD TOURNEO	MR T KIRBY	Tony Kirby Transport Ltd 07889 730908
HV816	YN66 YDK	FORD TOURNEO	MR T KIRBY	
HV824	YP22 RTV	FORD TOURNEO	MR T KIRBY	
HV502	LY12 KLA	LTI TX4	JT TRAVEL (ANGLIA) LTD	JT Travel (Anglia) Ltd Tel. 01473 253990
HV503	LR62 HZS	LTI TX4	JT TRAVEL (ANGLIA) LTD	
HV504	LR62 JBO	LTI TX4	JT TRAVEL (ANGLIA) LTD	

## Wheelchair accessible taxis/private hire vehicles

HV623	LG10 LKK	MERCEDES VITO	JT TRAVEL (ANGLIA) LTD	JT Travel (Anglia) Ltd Tel. 01473 253990
HV830	MJ62 FKR	RENAULT TRAFIC	MR S HUSSIN	Fast Cabs Tel. 01473 939999
HV710	SF65 DKK	PEUGEOT E7	MR N CHOWDHURY	Nice Travel Solutions Ltd
HV834	YN66 YDH	FORD TOURNEO	MR N CHOWDHURY	
HV501	LP61 JGO	LTI TX4	MR L RAHMAN	
HV601	LD12 OVU	MERCEDES VITO	MR A ABDULLAH	
HV604	LD12 ZRL	MERCEDES VITO	MR M RAHMAN	
HV605	LD61 TMU	MERCEDES VITO	MR M MANSOUR	
HV606	LG63 WPD	MERCEDES VITO	MR D HOSSAIN	
HV622	LD12 ZPR	MERCEDES VITO	MR M ALI	
HV628	LB61 UDU	MERCEDES VITO	MR J ABDULRAHMAN	
HV640	SF12 LPA	PEUGEOT E7	MR K ALI	
HV701	SF14 DLV	PEUGEOT E7	MR D ROGERS	

## Wheelchair accessible taxis/private hire vehicles

HV702	SF62 LBL	PEUGEOT EXPERT	MR A MOLIK	
HV703	DK60 CWZ	MERCEDES VITO	MR G BEYAZOGLU	
HV708	GH18 JTV	MERCEDES VITO	MR Z YOUSSEF ZAKI	
HV806	MV18 DDZ	VAUXHALL VIVARO	MR T KAYIRA	
HV812	BX15 PVD	MERCEDES VITO	MR R MIAH	
HV820	WH17 FTT	FORD TOURNEO	MR J COPPING	
HV823	BX65 NCC	CITROEN DISPATCH	MR F SAIDI	
HV825	YT66 OSR	FORD TOURNEO	MR L HAYMAN	
HV827	YF21 UFW	RENAULT TRAFIC	MR A WATERS	
HV828	T17 MPY	MERCEDES VITO	MR K MIAH	
HV837	SF68 HXY	FORD PROCAB	MR R QADIRI	
HV840	MM64 ODU	FORD TOURNEO	MR D ROGERS	
HV841	WX16 OFS	MERCEDES VITO	MR A MOHAMMAD	

## Wheelchair accessible taxis/private hire vehicles

*HV800	*KP13 WTW	*MERCEDES VITO	*MR S SADIQ	
Private Hire Vehicles				
SEV003	SF13 JXB	PEUGEOT HORIZON	MR N STEAD	Driving Miss Daisy Tel: 07743 812581
SEV018	WD15 OUX	CITROEN BERLINGO	MR N STEAD	
SEV028	SF12 GFK	PEUGEOT HORIZON	MR N STEAD	
SEV029	SC63 YOG	PEUGEOT HORIZON	MR N STEAD	
SEV032	SF67 EEA	PEUGEOT HORIZON	MR N STEAD	
SEV033	SF65 EHB	PEUGEOT HORIZON	MR N STEAD	
PV501	SG20 UGR	VOLKSWAGEN CADDY	HAWK EXPRESS LTD	Hawk Express Tel: 01473 222222
PV333	SF60 BLK	PEUGEOT PARTNER	CABS SMART	Cabs Smart Tel: 01473 252525
PV423	SF12 ONL	PEUGEOT PARTNER	CABS SMART	
PV066	SF12 0GZ	PEUGEOT PARTNER	JT TRAVEL (ANGLIA) LTD	JT Travel (Anglia) Ltd Tel: 01473 253990
PV153	LK59 GFU	FORD TOURNEO	JT TRAVEL (ANGLIA) LTD	

## Wheelchair accessible taxis/private hire vehicles

PV607	SF14 EXS	PEUGEOT EXPERT	JT TRAVEL (ANGLIA) LTD	JT Travel (Anglia) Ltd Tel: 01473 253990
PV611	SF14 EXT	PEUGEOT EXPERT	JT TRAVEL (ANGLIA) LTD	
PV801	YN11 AAF	FIAT DUCATO	JT TRAVEL (ANGLIA) LTD	
PV806	WA60 EXS	PEUGEOT BOXER	JT TRAVEL (ANGLIA) LTD	
PV807	YJ61 HJZ	PEUGEOT BOXER	JT TRAVEL (ANGLIA) LTD	
PV819	YJ17 FKW	RENAULT TRAFIC	JT TRAVEL (ANGLIA) LTD	
SEV013	LJ07 WVZ	VW CRAFTER	JT TRAVEL (ANGLIA) LTD	
SEV014	PN07 BBE	RENAULT MASTER	JT TRAVEL (ANGLIA) LTD	
SEV040	LK59 GFJ	FORD TOURNEO	JT TRAVEL (ANGLIA) LTD	
PV045	SF13 AUC	PEUGEOT HORIZON	QUICK CAB	
PV104	YY09 DUA	FIAT DOBLO	QUICK CAB	
PV248	GX12 GYR	FIAT DOBLO	QUICK CAB	
PV315	SW69 EMX	CITROEN BERLINGO	QUICK CAB	

## Wheelchair accessible taxis/private hire vehicles

PV648	YJ67 CHD	RENAULT MASTER	QUICK CAB	Quick Cab Tel: 01473 222248
PV803	YX10 CRV	RENAULT MASTER	QUICK CAB	
PV816	YJ15 CZT	RENAULT MASTER	QUICK CAB	
PV840	SP13 AUV	RENAULT MASTER	QUICK CAB	
SEV001	SH14 VGV	VOLKSWAGEN CADDY	QUICK CAB	
SEV026	SF11 ARX	PEUGEOT PARTNER	QUICK CAB	
SEV027	SF10 DFG	RENAULT MASTER	QUICK CAB	
SEV036	RJ58 JWG	FIAT DOBLO	QUICK CAB	
SEV037	NK60 AXO	VOLKSWAGEN CADDY	QUICK CAB	
PV350	YD61 VMH	VOLKSWAGEN CADDY	405 CAB CO.	
PV808	EU10 ECC	RENAULT MASTER	405 CAB CO.	
PV600	WA61 KDF	PEUGEOT EXPERT	UNITY TRAVEL	Unity Travel Tel: 01473 715000
SEV019	YX14 CXU	FIAT DOBLO	UNITY TRAVEL	

## Wheelchair accessible taxis/private hire vehicles

SEV021	WA61 FVW	PEUGEOT EXPERT	UNITY TRAVEL	Unity Travel Tel: 01473 715000
SEV031	SL63 HKH	CITROEN BERLINGO	MR S HUSSIN	Fast Cabs Tel. 01473 939999
PV047	SF60 HZX	PEUGEOT PARTNER	MR M ALI	Ipswich Taxi Travel Ltd
PV256	SF15 ECZ	PEUGEOT EXPERT	MR N RAHMAN	
PV411	SF60 HKK	PEUGEOT PARTNER	MR M ALI	
PV643	YJ14 HZE	RENAULT MASTER	MR M ALI	
PV702	YP62 WGC	FORD TRANSIT	MR M ALI	
PV838	NG67 GKU	VAUXHALL VIVARO	MR N RAHMAN	
SEV016	NU67 UPB	VAUXHALL VIVARO	MR M ALI	
PV627	YJ67 CDX	RENAULT TRAFIC	MR M MIAH	
PV831	SP65 AFX	RENAULT MASTER	MR M MIAH	
PV672	YJ19 AHX	RENAULT MASTER	Mr A REYADAN	A-Z
PV500	YJ16 BAO	RENAULT MASTER	MR A REYADAN	



## Wheelchair accessible taxis/private hire vehicles

SEV022	WA67 DYO	CITROEN BERLINGO	MR M AHMED	Universal Cabs
--------	----------	------------------	------------	----------------

If any driver would like their details added, removed, or changed to this list, please email [licensing@ipswich.gov.uk](mailto:licensing@ipswich.gov.uk)