



SPRAYBOOTH TECHNOLOGY LIMITED

MAINTENANCE RECORD

Job No: SH2065 Date: 14/6/12 Invoice No: _____

Customer Name: LACKHAM'S
 Site Address: 12 SWICH
 Tel No: _____
 Contact: _____
 Customer Order No: _____

BOOTH DETAILS
 Make & Type: SPRAYBAKE BOOTH 1
 Serial No: 2321 5910 0989
 Burner: SG13 Direct Fired YES NO
 Filter: _____
 Control Box: MM4 870
 Hours Run: _____

BURNER SERVICE	Y	N
Burner Head Cleaned	✓	
Burner Fan Cleaned	✓	
Electrodes & Probes Cleaned & Adjusted	✓	
Photo-Electric/UV Cell Cleaned	✓	
Gas Lines Checked	✓	
Oil Filter Checked/Changed & Pump Pressure: Bar	✓	
Combustion Chamber Condition Checked	✓	
Flame Failure Control Checked	✓	
Operation Of Thermostats Checked	✓	
Combustion Test: CO2 Temp: <u>COOPM</u>	✓	
Burner Ventilation Adequate	✓	
Burner Flue Checked	✓	
Gas Tightness Check Carried Out	✓	
Working Gas Pressure Readings: Inlet: <u>15 mbar</u>	✓	
Pilot: Governor: Head: <u>3 mbar</u>	✓	
Has A Gas Warning/Advice Note Been Issued	✓	

Engineers Visit To Attend To:
MINOR SERVICE

Details Of Work Carried Out:
SERVICED BOOTH

Details Of Remedial Work Required:

AIR CONTROL SYSTEM SERVICE	Y	N
Underfloor Ducting/Grids & Floor Plates Checked	✓	
Paint Arrestor/Duplex Filter Changed	✓	
Fan Motor Impellers Security Checked	✓	
Flaps & VCD Sealing Edges Cleaned	✓	
Flap Linkages and Servo Motor Oiled /Greased	✓	
Limit Switch/Auto Ram Set/Checked	✓	
Ext Mt Amps F.L.C. R: <u>7.9</u> Y: <u>10.0</u> CB: <u>7.7</u>	✓	
Int Mt Amps F.L.C. R: <u>10.7</u> Y: <u>10.7</u> B: <u>10.6</u>	✓	
Drive Belts Checked/Changed. Size: Qty: _____	✓	
Fan Motor Bearings Greased Once Yearly	✓	
Booth Pressure Set To Negative On Spray Cycle	✓	
Booth Pressure Set To Negative On Bake Cycle	✓	
Pre-Filter Checked/Changed	✓	
Main Roof Filter Checked/Changed	✓	
Aqua Dry Filters Checked/Changed	✓	
PM25 Pressure Switch Operation Checked	✓	

PARTS USED		
Part No.	Description	Qty
<u>ST10305</u>	<u>10 4M DUPLEX</u>	<u>1</u>

BOOTH SERVICE	Y	N
Lamp Glasses & Lamps Checked	✓	
Pressurised Light Fitting Filters Changed/Checked	✓	
All Door Hinges & Closers Lubricated & Adjusted	✓	
All Door Seals Checked/Changed	✓	
Control Panel Wiring Checked/Tightened	✓	
Safety Notice Fitted	✓	
EPA Shutdown Alarm Tested & Re-Calibrated	✓	

THE BURNER AND SPRAYBOOTH HAVE BEEN LEFT IN A SAFE WORKING ORDER.

Spraybooth Clearance Time is: 1 m 30 s
 Engineers Signature: S. HALD
 Engineers Name: S. HALD
 Site Time: _____ Travel Time: _____
 JOB COMPLETED: Yes/No (Delete)

I CERTIFY that the time shown is correct and the work has been carried out satisfactorily.
 Customer Signature: _____
 Customer Name: _____

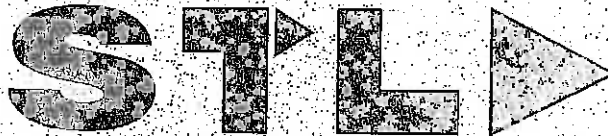
Spraybooth Technology Limited, 8, Ballingdon Hill Industrial Estate, Sudbury, Suffolk CO10 2DX.

Tel: (01787) 313550 Fax: (01787) 313542

Email: enquiries@sprayboothtec.com Website: www.sprayboothtec.com

Top Copy: Office Yellow Copy: Customer Pink Copy: Engineer





SPRAYBOOTH TECHNOLOGY LIMITED

MAINTENANCE RECORD

Job No: SH2066 Date: 14/6/12 Invoice No:

Customer Name: ZACKHAMS
Site Address: IPSWICH
Tel No:
Contact:
Customer Order No:

BOOTH DETAILS
Make & Type: SPRAYBOOTH SCOTT 2
Serial No: 2320 590 0889
Burner: CG13 Direct Fired YES/NO
Filter:
Control Box: MMG 870
Hours Run:

BURNER SERVICE	Y	N
Burner Head Cleaned	✓	
Burner Fan Cleaned	✓	
Electrodes & Probes Cleaned & Adjusted	✓	
Photo-Electric/UV Cell Cleaned	✓	
Gas Lines Checked	✓	
Oil Filter Checked/Changed & Pump Pressure: Bar	✓	
Combustion Chamber Condition Checked	✓	
Flame Failure Control Checked	✓	
Operation Of Thermostats Checked	✓	
Combustion Test: CO2. Temp. CO. ppm	✓	
Burner Ventilation Adequate	✓	
Burner Flue Checked	✓	
Gas Tightness Check Carried Out	✓	
Working Gas Pressure Readings: Inlet: 19mbar	✓	
Pilot: Governor: Head: 2mbar	✓	
Has A Gas Warning/Advice Note Been Issued	✓	

Engineers Visit To Attend To:
MINOR SERVICE

AIR CONTROL SYSTEM SERVICE	Y	N
Underfloor Ducting/Grids & Floor Plates Checked	✓	
Paint Arrestor/Duplex Filter Changed	✓	
Fan Motor Impellers Security Checked	✓	
Flaps & VCD Sealing Edges Cleaned	✓	
Flap Linkages and Servo Motor Oiled /Greased	✓	
Limit Switch/Auto Ram Set/Checked	✓	
Ext Mt Amps F.L.C. 15.4 R: 10.6 B: 10.3B: 9.7	✓	
Int Mt Amps F.L.C. 15.4 R: 11.0 B: 10.6B: 10.5	✓	
Drive Belts Checked/Changed. Size: Qty:	✓	
Fan Motor Bearings Greased Once Yearly	✓	
Booth Pressure Set To Negative On Spray Cycle	✓	
Booth Pressure Set To Negative On Bake Cycle	✓	
Pre-Filter Checked/Changed	✓	
Main Roof Filter Checked/Changed	✓	
Acqua Dry Filters Checked/Changed	✓	
PM25 Pressure Switch Operation Checked	✓	

Details Of Work Carried Out:
SERVICED BOOTH

BOOTH SERVICE	Y	N
Lamp Glasses & Lamps Checked	✓	
Pressurised Light Fitting Filters Changed/Checked	✓	
All Door Hinges & Closers Lubricated & Adjusted	✓	
All Door Seals Checked/Changed	✓	
Control Panel Wiring Checked/Tightened	✓	
Safety Notice Fitted	✓	
EPA Shutdown Alarm Tested & Re-Calibrated	✓	

Details Of Remedial Work Required:

PARTS USED		
Part No.	Description	Qty
ST10305	10.4M DUPLEX	1
ST6015	K2 CONTACTOR	1

THE BURNER AND SPRAYBOOTH HAVE BEEN LEFT IN A SAFE WORKING ORDER.
Spraybooth Clearance Time Is: 1 m 30 s
Engineers Signature: S. Hales
Engineers Name: S. LAURENCE
Site Time: Travel Time:
JOB COMPLETED: Yes/No (Delete)

I CERTIFY that the time shown is correct and the work has been carried out satisfactorily.
Customer Signature:
Customer Name:





SPRAYBOOTH TECHNOLOGY LIMITED

MAINTENANCE RECORD

Job No: SH2067 Date: 14/6/12 Invoice No: _____

Customer Name: PACKHAM'S
 Site Address: IPSWICH
 Tel No: _____
 Contact: _____
 Customer Order No: _____

BOOTH DETAILS
 Make & Type: SPRAYBOOTH BOOTH 3
 Serial No: 2319 MID 0789
 Burner: SG13 Direct Fired YES NO
 Filter: _____
 Control Box: MMG 810
 Hours Run: _____

BURNER SERVICE	Y	N
Burner Head Cleaned	<input checked="" type="checkbox"/>	<input type="checkbox"/>
Burner Fan Cleaned	<input checked="" type="checkbox"/>	<input type="checkbox"/>
Electrodes & Probes Cleaned & Adjusted	<input checked="" type="checkbox"/>	<input type="checkbox"/>
Photo Electric/UV Cell Cleaned	<input checked="" type="checkbox"/>	<input type="checkbox"/>
Gas Lines Checked	<input checked="" type="checkbox"/>	<input type="checkbox"/>
Oil Filter Checked/Changed & Pump Pressure: Bar	<input checked="" type="checkbox"/>	<input type="checkbox"/>
Combustion Chamber Condition Checked	<input checked="" type="checkbox"/>	<input type="checkbox"/>
Flame Failure Control Checked	<input checked="" type="checkbox"/>	<input type="checkbox"/>
Operation Of Thermostats Checked	<input checked="" type="checkbox"/>	<input type="checkbox"/>
Combustion Test: CO2 Temp. <u>CO2 11.1</u>	<input checked="" type="checkbox"/>	<input type="checkbox"/>
Burner Ventilation Adequate:	<input checked="" type="checkbox"/>	<input type="checkbox"/>
Burner Flue Checked	<input checked="" type="checkbox"/>	<input type="checkbox"/>
Gas Tightness Check Carried Out	<input checked="" type="checkbox"/>	<input type="checkbox"/>
Working Gas Pressure Readings: Inlet: <u>1.8 M Bar</u>	<input checked="" type="checkbox"/>	<input type="checkbox"/>
Pilot: Governor: Head: <u>3.2 M Bar</u>	<input checked="" type="checkbox"/>	<input type="checkbox"/>
Has A Gas Warning/Advice Note Been Issued	<input checked="" type="checkbox"/>	<input type="checkbox"/>

Engineers Visit To Attend To:
MINOR SERVICE

Details Of Work Carried Out:
SERVICED BOOTH

Details Of Remedial Work Required:

AIR CONTROL SYSTEM SERVICE	Y	N
Underfloor Ducting/Grids & Floor Plates Checked	<input checked="" type="checkbox"/>	<input type="checkbox"/>
Paint Arrestor/Duplex Filter Changed	<input checked="" type="checkbox"/>	<input type="checkbox"/>
Fan Motor Impellers Security Checked	<input checked="" type="checkbox"/>	<input type="checkbox"/>
Flaps & VCD Sealing Edges Cleaned	<input checked="" type="checkbox"/>	<input type="checkbox"/>
Flap Linkages and Servo Motor Oiled /Greased	<input checked="" type="checkbox"/>	<input type="checkbox"/>
Limit Switch/Auto Ram Set/Checked	<input checked="" type="checkbox"/>	<input type="checkbox"/>
Ext Mt Amps F.L.C. R: <u>4.6</u> Y: <u>4.7</u> B: <u>4.7</u>	<input checked="" type="checkbox"/>	<input type="checkbox"/>
Int Mt Amps F.L.C. R: <u>4.0</u> Y: <u>4.2</u> B: <u>4.1</u>	<input checked="" type="checkbox"/>	<input type="checkbox"/>
Drive Belts Checked/Changed. Size: Qty: _____	<input checked="" type="checkbox"/>	<input type="checkbox"/>
Fan Motor Bearings Greased Once Yearly	<input checked="" type="checkbox"/>	<input type="checkbox"/>
Booth Pressure Set To Negative On Spray Cycle	<input checked="" type="checkbox"/>	<input type="checkbox"/>
Booth Pressure Set To Negative On Bake Cycle	<input checked="" type="checkbox"/>	<input type="checkbox"/>
Pre-Filter Checked/Changed	<input checked="" type="checkbox"/>	<input type="checkbox"/>
Main Roof Filter Checked/Changed	<input checked="" type="checkbox"/>	<input type="checkbox"/>
Aqua Dry Filters Checked/Changed	<input checked="" type="checkbox"/>	<input type="checkbox"/>
PM25 Pressure Switch Operation Checked	<input checked="" type="checkbox"/>	<input type="checkbox"/>

PARTS USED		
Part No.	Description	Qty
<u>ST10305</u>	<u>10.4 M DUPLEX</u>	<u>1</u>

BOOTH SERVICE	Y	N
Lamp Glasses & Lamps Checked	<input checked="" type="checkbox"/>	<input type="checkbox"/>
Pressurised Light Fitting Filters Changed/Checked	<input checked="" type="checkbox"/>	<input type="checkbox"/>
All Door Hinges & Closers Lubricated & Adjusted	<input checked="" type="checkbox"/>	<input type="checkbox"/>
All Door Seals Checked/Changed	<input checked="" type="checkbox"/>	<input type="checkbox"/>
Control Panel Wiring Checked/Tightened	<input checked="" type="checkbox"/>	<input type="checkbox"/>
Safety Notice Fitted	<input checked="" type="checkbox"/>	<input type="checkbox"/>
EPA Shutdown Alarm Tested & Re-Calibrated	<input checked="" type="checkbox"/>	<input type="checkbox"/>

THE BURNER AND SPRAYBOOTH HAVE BEEN LEFT IN A SAFE WORKING ORDER.

Spraybooth Clearance Time is: 3 m 0 s

Engineers Signature: S. HALSTED

Engineers Name: S. HALSTED

Site Time: _____ Travel Time: _____

JOB COMPLETED: Yes/No (Delete)

I CERTIFY that the time shown is correct and the work has been carried out satisfactorily.

Customer Signature: _____

Customer Name: _____



LOCAL EXHAUST VENTILATION (LEV) - THOROUGH EXAMINATION AND TEST REPORT

Customer:- Rackhams Autobody Centre, Bosshall Road Ind Estate, Sproughton Road, Ipswich, Suffolk, IP1 5BN

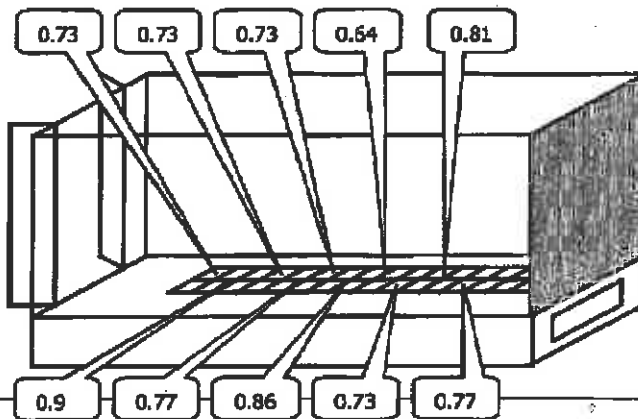
Contact:- Ken Rackham

Report No.:- SH2059

Test Date :- 13/12/2010

Plant Identification & Location	Spraybake M1000 Spraybooth 1
Last Examination & Test Date	21/09/2009
Serial No.	2319/M10/0989
Process Controlled	Paint Spraying
Fan Specification	7.5kw Bifurcated Woods Axial fan unit
Method/ Type of Testing	Airflows Readings & Calculation
Filter/Collection Spec.	New Duplex Filter (2" Pax Primary Filter & P300 Secondary Filter)
Main Hazards	VOC's & Isocyanate's
Test Conditions	Booth Empty
Clearance Time	1 Min 30 Secs

Schematic of Ventilation Plant / Sampling Points



Air Flow m/s	Sampling Length	2 m
0.73	Sampling Width	1 m
0.73	No. Sampling Points	5
0.73	Booth Length	7 m
0.64	Booth Width	4 m
0.81	Booth Height	2.6 m
0.90	Duct Diameter	0.8 m
0.77	Filter Area	10.00 sq/m
0.86	Booth Area	72.80 cu/m
0.73	No Samples	10
0.77	Av Airspeed	0.77 m/s
	Air Flow	27812.00 m3/h
		16242.36 f3/min
	Duct air Speed	15.28 m/s
	Air changes	6.32 per/min

THIS THOROUGH EXAMINATION AND TESTING WAS CARRIED OUT WITHOUT THE AID OF THE ORIGINAL DESIGN CRITERIA FOR COMPARISON, HOWEVER THEY ARE CORRECT AND ACCURATE AND IN OUR CONSIDERED OPINION THIS UNIT MEETS ITS OPERATING REQUIREMENTS.

Signed:-

ON BEHALF OF SPRAYBOOTH TECHNOLOGY LTD.

LOCAL EXHAUST VENTILATION (LEV) - THOROUGH EXAMINATION AND TEST REPORT

Customer:- Rackhams Autobody Centre, Bosshall Road Ind Estate, Sproughton Road, Ipswich, Suffolk, IP1 5BN

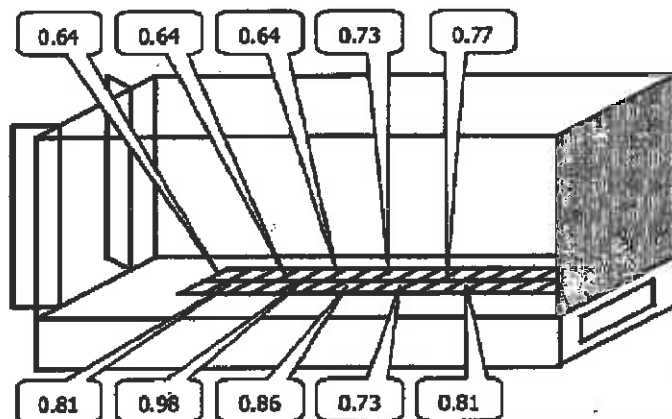
Contact:- Ken Rackham

Report No.:- SH2060

Test Date :- 13/12/10

Plant Identification & Location	Spraybake M1000 Spraybooth 2
Last Examination & Test Date	21/09/2009
Serial No.	2320/S90/0989
Process Controlled	Paint Spraying
Fan Specification	7.5kw Bifurcated Woods Axial fan unit
Method/ Type of Testing	Airflows Readings & Calculation
Filter/Collection Spec.	New Duplex Filter (2" Pax Primary Filter & P300 Secondary Filter)
Main Hazards	VOC's & Isocyanate's
Test Conditions	Booth Empty
Clearance Time	1 Min 30 Secs

Schematic of Ventilation Plant / Sampling Points



Air Flow m/s	Sampling Length	2 m
0.64	Sampling Width	1 m
0.64	No. Sampling Points	5
0.64	Booth Length	6.5 m
0.73	Booth Width	4 m
0.77	Booth Height	2.6 m
0.81	Duct Diameter	0.8 m
0.98	Filter Area	10.00 sq/m
0.86	Booth Area	87.60 cu/m
0.73	No Samples	10
0.81	Av Airspeed	0.76 m/s
	Air Flow	27398.00 m ³ /h
		16115.29 ft ³ /min
	Duct air Speed	15.14 m/s
	Air changes	6.75 per/min

THIS THOROUGH EXAMINATION AND TESTING WAS CARRIED OUT WITHOUT THE AID OF THE ORIGINAL DESIGN CRITERIA FOR COMPARISON, HOWEVER THEY ARE CORRECT AND ACCURATE AND IN OUR CONSIDERED OPINION THIS UNIT MEETS ITS OPERATING REQUIREMENTS.

Signed:- 
 ON BEHALF OF SPRAYBOOTH TECHNOLOGY LTD.

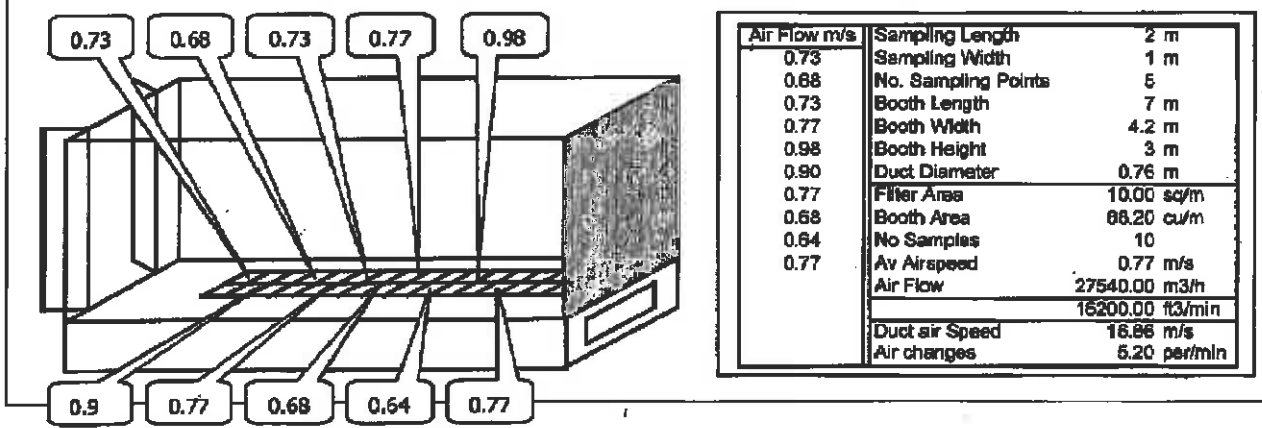


LOCAL EXHAUST VENTILATION (LEV) - THOROUGH EXAMINATION AND TEST REPORT

Customer:- Rackhams Autobody Centre, Bosshall Road Ind Estate, Sproughton Road, Ipswich, Suffolk, IP1 5BN
Contact:- Ken Rackham **Report No.:-** SH2058 **Test Date :-** 13/12/2010

Plant Identification & Location	Spraybake S900 Spraybooth 3
Last Examination & Test Date	21/09/2009
Serial No.	2321/S90/0989
Process Controlled	Paint Spraying
Fan Specification	3.8kw Bifurcated Woods Axial fan unit
Method/ Type of Testing	Airflows Readings & Calculation
Filter/Collection Spec.	Nearly New Duplex Filter (2" Pax Primary Filter & P300 Secondary Filter)
Main Hazards	VOC's & Isocyanate's
Test Conditions	Booth Empty
Clearance Time	3 Min 0 Sec

Schematic of Ventilation Plant / Sampling Points



THIS THOROUGH EXAMINATION AND TESTING WAS CARRIED OUT WITHOUT THE AID OF THE ORIGINAL DESIGN CRITERIA FOR COMPARISON, HOWEVER THEY ARE CORRECT AND ACCURATE AND IN OUR CONSIDERED OPINION THIS UNIT MEETS ITS OPERATING REQUIREMENTS.

Signed:
ON BEHALF OF SPRAYBOOTH TECHNOLOGY LTD.



DUST EXTRACTION SOLUTIONS

NEW ADDRESS:
 3 Wayside
 Braunston Business Park
 Braunston
 NN11 7HB

Tel: +44 (0)1788 890571
 Fax: +44 (0)1788 890029

Rackhams
 47 Boss Hall Ind. Estate
 Sproughton Road
 Ipswich
 IP1 5BN

For the attention of Andy Rackham

09/02/2012

MINDEN DUST EXTRACTION SYSTEM

SERVICE HISTORY

Model: MVB550E
 Serial No: 597
 Date of Install: 13/10/2009
 Last Service: 25/01/2012
 Next Service Due: JAN 2013

Date
 25/01/2012

Comments
 Service 4,528 hrs

Vacuum Pressure at heads
 240 bar 60+ m/s

PASS

This system has been fully serviced, maintained and tested by Minden Systems Ltd and is effective in the control of dust in the atmosphere, according to HSE LEV Regulations.

Please Note: Health & Safety regulations now require dust extraction systems to be serviced once every 14 months



Account Logged In - RACKHAM AUTO BODY CENTRE

User - RACKHAMS

Customer VOC Enquiry - Current YTD as of 01/10/12

1/1/2012 TO 1/10/2012
0.67 tonnes.

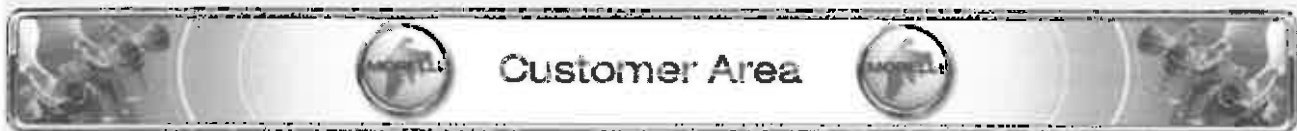
[Back](#)[Home](#)

Product	Description	Quantity	Weight (gm)
C221B	CARTRIDGE SIKAFLEX 221 BLACK	29	725
	Product Type 'C29' Total		725
DBAGDOL/1	440ml PLASTIC BAG DOLPHIN GLAZE C/W ACT	65	6175
DQ670	QUICK SAND FILLER	149	22350
DGTEX/G1	1LT DAVIDS S/CHIP PRIMER GREY	12	6300
PM1	UPOL 25cm x 20cm ALUMINIUM MESH	7	1575
DS2004/AL	450ml U-POL GUIDE COAT AEROSOL	1	240
DZ182/AL	450ml U-POL ZINC 182 ANTI RUST PRIMER	4	844
PLAS/6	UPOL PLAST'X'6 PLASTIC FILLER	16	2000
	Product Type 'D20' Total		39484
DW-1.5	1.5lt DUPONT CROMAX MIXED COLOUR	1	150
	Product Type 'D80' Total		150
FG10	1LT FARECLA G10 FINISHING LIQUID	1	193
	Product Type 'F10' Total		193
G11-E120	125ml GLASURIT MULTI EFFEKT COLOUR	3	177
G11-E280	125ml GLASURIT MULTI EFFEKT COLOUR	2	118
G11-E440	125ml GLASURIT MULTI EFFEKT COLOUR	3	177
G11-E460	125ml GLASURIT MULTI EFFEKT COLOUR	1	59
G11-E520	125ml GLASURIT MULTI EFFEKT COLOUR	1	59
G11-E620	125ml GLASURIT MULTI EFFEKT COLOUR	1	59
G11-E650	125ml GLASURIT MULTI EFFEKT COLOUR	2	118
G11-E830	125ml GLASURIT MULTI EFFEKT COLOUR	2	118
G11-E910	125ml GLASURIT MULTI EFFEKT COLOUR	2	118
G11-E920	125ml GLASURIT MULTI EFFEKT COLOUR	2	118
G11-E20A	0.5lt GLASURIT SUN ORANGE	1	78
G11-E30A	0.5lt GLASURIT FIRE RED	5	375
G11-E30B	0.5LT GLASURIT MAGMA RED	2	140
G183-30	400ml AEROSOL ANTI CORROSIVE PRIMER	21	7413
G522-10	1LT GLASURIT PLASTIC ADDITIVE	2	1080
G934-10	400ml AEROSOL PLASTIC ADHESION PRIMER	9	3483
G183-70	400ml AEROSOL EXPRESS FILLER	16	5648
G283-25-1	1LT BEIGE ETCH PRIMER	3	2247
G176-72-1	1LT 1K PRIMER FILLER DK GREY	1	153

G700-1-5	5LT LOW VOC CLEANER	4	3980
G285-555-3	3LT HS VOC PRIMER FILLER BLACK	28	35633
G285-655-3	3LT HS VOC PRIMER FILLER WHITE	9	11450
G285-38-3	3LT HS VOC NON SANDING FILLER WHITE	10	11990
G285-49-3	3LT HS VOC NON SANDING FILLER BLACK	10	11431
G923-57	.75LT FLEXIBLE MATT CLEAR LACQUER	12	5904
G923-135-5	5LT HS RACING CLEAR LACQUER	1	2002
G923-888-5	5LTS COMO CLEAR VOC LACQUER	20	52840
G923-447-5	5LT EXTREME SCRATCH RESISTANT CLEARCOAT	1	1810
G929-31	2 5LT FAST HS HARDENER	1	1100
G929-688-2	2 5LTS COMO HARDENER VOC	11	3047
G929-55-2	2 5LT HS FILLER HARDENER FAST	8	12200
G522-345	1LT FINE TEXTURED ADDITIVE	1	780
G352-500	5LT SPOT BLENDER	12	5400
G352-216-5	5LT GLASSODUR SLOW THINNER	1	4600
G352-91-5	5LT GLASSODUR THINNERS	12	52560
G90-A031	0.5LT 90 LINE WHITE***NOW G90-A031-1***	13	3367
G90-A032	0.5LT 90 LINE WHITE	2	518
G90-A115	0.5LT 90 LINE GREEN GOLD	1	259
G90-A148	0.5LT 90 LINE LEMON YELLOW	1	259
G90-A201	0.5LT 90 LINE BASE ORANGE	1	259
G90-A307	0.5LT 90 LINE OXIDE RED	1	259
G90-A323	0.5LT 90 LINE LIGHT RED	1	259
G90-A347	0.5LT 90 LINE MAROON	2	520
G90-A352	0.5LT 90 LINE DARK RED	3	777
G90-A359	0.5LT 90 LINE BASE PINK	3	780
G90-A372	0.5LT 90 LINE SCARLET	1	259
G90-A378	0.5LT 90 LINE RED	1	258
G90-A427	0.5LT 90 LINE VIOLET	1	259
G90-A430	0.5LT 90 LINE RED VIOLET	2	518
G90-A503-1	1LT 90 LINE BLUE	7	3626
G90-A531-1	1LT 90 LINE BLUE	2	1036
G90-A532	0.5LT 90 LINE BLUE	1	259
G90-A589	1LT 90-LINE ROYAL BLUE	3	777
G90-A563	0.5LT 90 LINE MID BLUE	1	259
G90-A696	0.5LT 90-LINE GREEN YELLOW	1	259
G90-A924	0.5LT 90-LINE JET BLACK	12	3108
G90-A926	1LT 90-LINE BLACK	17	8805
G90-A997	.5LT 90 LINE BLACK BLUE	4	1036
G90-A927	.5LT 90 LINE BLUE BLACK	3	777
G90-M99/00	0.5LT 90 LINE SILVER SUPER FINE	5	1295
G90-M99/01	1LT 90 LINE SUPER SILVER FINE	9	4662
G90-M99/02	1LT 90 LINE SILVER FINE	7	3626
G90-M99/03	0.5LT 90 LINE SILVER	1	259
G90-M99/04	0.5LT 90 LINE SILVER MEDIUM	3	777
G90-M99/21	0.5LT 90 LINE COARSE CRYSTAL SILVER	1	259

G90-M99/22	0.5LT 90 LINE FINE CRYSTAL SILVER	2	518
G90-M1-1	1LT 90 LINE EFFECT ADDITIVE	6	2652
G90-IC440-1	1LT 90 LINE INTERIOR MIXING CLEAR	1	791
G90-M4S	5LT 90-LINE MIXING CLEAR SLOW	38	11020
G93-E3S	5LT 90-LINE THINNER ADDITIVE SLOW	31	8494
G93-M010	0.5LT 90-LINE PEARL WHITE	2	544
G93-M011	0.5LT 90-LINE PEARL SILVER WHITE	2	544
G93-M363	0.5LT 90-LINE PEARL RED	1	272
G93-M505	0.5LT 90-LINE PEARL BLUE	5	1360
G93-M506	0.5LT 90-LINE PEARL BLUE	2	544
G98-M919	0.5LT 90 LINE DIAMOND SILVER	1	282
G98-M919-125	125ml 90 LINE DIAMOND SILVER	1	282
G98-M319	0.5LT 90 LINE RUBY RED	1	282
G98-A097	0.5LT 90-LINE MULTI EFFECT WHITE	1	282
G568-M035-5	5LT 68 LINE MIXING CLEAR	1	1843
G68-T002-3	3.5LT 68 LINE WHITE	2	2644
G68-T200-3	3.5LT 68 LINE ORANGE	1	1348
G68-T310-3	3.5LT 68 LINE BORDEAUX	1	1445
G68-T320-3	3.5LT 68 LINE DARK RED	1	1568
G68-T340-3	3.5LT 68 LINE WINE RED	1	1360
G68-T500-3	3.5LT 68 LINE DARK BLUE	1	1464
G90-A031-1	1LT 90 LINE WHITE - REPLACING G90-A031	3	777
G922-38-5	5LT 68 LINE NORMAL HARDENER	1	554
	Product Type 'G30' Total		318707
M50417	1LT 3M FAST CUT PLUS	27	9774
M5098	409G 3M RED ACRYLIC PUTTY	1	173
M8158	474ML AEROSOL BODY GUARD BLACK	3	996
M8861	1LT BODY SCHUTZ COATING	12	5544
M8919	1LT CAVITY WAX TRANSPARANT	24	11880
M9376	1LT PERFECT-IT 111 MACHINE POLISH	2	460
	Product Type 'M05' Total		28847
N5120-2.5	2.5LT FAST NOVOL HARDENER FOR 590	2	2876
N590-5	5LT NOVOL HS LACQUER	2	5450
	Product Type 'N50' Total		8326
PERSTD-25	25LT PERFECTION STANDARD THINNERS	13	269750
	Product Type 'P01' Total		269750
OMS-W	310ML WHITE PU SEALER	25	450
	Product Type 'P40' Total		450
SIMP15	500ML AEROSOL BLACK GLGSS	3	1035
SIMP16	500ML AEROSOL SATIN BLACK	19	7410
	Product Type 'S55' Total		8445
T158 18T	400ml AEROSOL ZINC SPRAY	16	1856
	Product Type 'T28' Total		1856
	A/c R7010 Rackham Auto Body Centri total		676933
	Grand Total		676933

Logout



Account Logged In - RACKHAM AUTO BODY CENTRE

User - RACKHAMS

Customer VOC Enquiry - Last Year as of 01/10/12

All of 2011
0.76 tonnes [Back](#) [Home](#)

Product	Description	Quantity	Weight (gm)
C221B	CARTRIDGE SIKAFLEX 221 BLACK Product Type 'C29' Total	33	825 825
D1-151-1	1LT DE BEER UNI THINNER STANDARD Product Type 'D18' Total	1	904 904
DBAGDOL/1	440ml PLASTIC BAG DOLPHIN GLAZE C/W ACT	87	8265
DEASY/7	UPOL EASY SAND BODY FILLER	1	755
DQ670	QUICK SAND FILLER	186	27900
DGTEX/G1	1LT DAVIDS S/CHIP PRIMER GREY	18	9450
DZ182/AL	450mk UPOL ZINC 182 ANTI RUST PRIMER Product Type 'D20' Total	25	5275 51645
FG10	1LT FARECLA G10 FINISHING LIQUID Product Type 'F10' Total	1	193 193
G11-E280	125ml GLASURIT MULTI EFFEKT COLOUR	1	59
G11-E330	125ml GLASURIT MULTI EFFEKT COLOUR	1	59
G11-E440	125ml GLASURIT MULTI EFFEKT COLOUR	5	295
G11-E520	125ml GLASURIT MULTI EFFEKT COLOUR	1	59
G11-E650	125ml GLASURIT MULTI EFFEKT COLOUR	2	118
G11-E910	125ml GLASURIT MULTI EFFEKT COLOUR	1	59
G11-E920	125ml GLASURIT MULTI EFFEKT COLOUR	1	59
G11-E30A	0.5L GLASURIT FIRE RED	10	750
G11-E30B	0.5LT GLASURIT MAGMA RED	3	210
G934-0	1LT GLASSOFIX 1K PLASTICS PRIMER	2	1752
G183-30	400ml AEROSOL ANTI CORROSIVE PRIMER	27	9531
G522-10	1LT GLASURIT PLASTIC ADDITIVE	4	2160
G934-10	400ml AEROSOL PLASTIC ADHESION PRIMER	6	2322
G183-70	400ml AEROSOL EXPRESS FILLER	19	6707
G283-25-1	1LT BEIGE ETCH PRIMER	2	1498
G176-72-1	1LT 1K PRIMER FILLER DK GREY	1	153
G700-1-5	5LT LOW VOC CLEANER	5	4975
G285-555-3	3LT HS VOC PRIMER FILLER BLACK	15	19089
G285-655-3	3LT HS VOC PRIMER FILLER WHITE	8	10179
G285-38-3	3LT HS VOC NON SANDING FILLER WHITE	16	19184
G285-49-3	3LT HS VOC NON SANDING FILLER BLACK	14	16005

G923-57	.75LT FLEXIBLE MATT CLEAR LACQUER	13	6396
G923-135-5	5LT HS RACING CLEAR LACQUER	5	10010
G923-888-5	5LTS COMO CLEAR VOC LACQUER	64	169088
G923-335-5	5LT HS MULTI CLEARCOAT VOC LACQUER	5	10525
G929-31	2.5LT FAST HS HARDENER	10	11000
G929-33-2	2.5LT HS HARDENER	4	4400
G929-888-2	2.5LTS COMO HARDENER VOC	34	9418
G929-55-2	2.5LT HS FILLER HARDENER FAST	34	51850
G352-500	5LT SPOT BLENDER	31	13950
G352-216-5	5LT GLASSODUR SLOW THINNER	2	9200
G352-91-1	1LT GLASSODUR THINNER	1	876
G352-91-5	5LT GLASSODUR THINNERS	11	48180
G541-30	1LT DEGREASING FLUID FOR PLASTICS	7	5712
G90-A031	0.5LT 90 LINE WHITE***NOW G90-A031-1***	14	3626
G90-A032	0.5LT 90 LINE WHITE	5	1295
G90-A105	0.5LT 90 LINE OCHRE	1	259
G90-A149	0.5LT 90 LINE LEMON YELLOW	1	259
G90-A143	0.5LT 90 LINE YELLOW	2	518
G90-A306	0.5LT 90 LINE OXIDE RED	1	259
G90-A307	0.5LT 90 LINE OXIDE RED	1	259
G90-A323	0.5LT 90 LINE LIGHT RED	1	259
G90-A329	0.5LT 90 LINE RED	1	259
G90-A347	0.5LT 90 LINE MAROON	2	520
G90-A352	0.5LT 90 LINE DARK RED	4	1036
G90-A359	0.5LT 90 LINE BASE PINK	3	780
G90-A427	0.5LT 90 LINE VIOLET	2	518
G90-A430	0.5LT 90 LINE RED VIOLET	1	259
G90-A503-1	1LT 90 LINE BLUE	7	3626
G90-A531-1	1LT 90 LINE BLUE	3	1554
G90-A532	0.5LT 90 LINE BLUE	1	259
G90-A526	1LT 90 LINE SAPPHIRE BLUE 2***OBS****	1	524
G90-A527	1LT 90 LINE SAPPHIRE BLUE	2	1048
G90-A589	1LT 90-LINE ROYAL BLUE	2	518
G90-A563	0.5LT 90 LINE MID BLUE	4	1036
G90-A640-1	1LT 90-LINE BLUE GREEN	1	518
G90-A924	0.5LT 90-LINE JET BLACK	15	3685
G90-1250	1LT 90-LINE DEEP BLACK	2	838
G90-A926	1LT 90-LINE BLACK	20	10360
G90-A997	.5LT 90 LINE BLACK BLUE	3	777
G90-A927	.5LT 90 LINE BLUE BLACK	3	777
G90-M99/00	0.5LT 90 LINE SILVER SUPER FINE	4	1036
G90-M99/01	1LT 90 LINE SUPER SILVER FINE	12	6216
G90-M99/02	1LT 90 LINE SILVER FINE	8	4144
G90-M99/03	0.5LT 90 LINE SILVER	2	518
G90-M99/04	0.5LT 90 LINE SILVER MEDIUM	5	1295
G90-M99/22	0.5LT 90 LINE FINE CRYSTAL SILVER	3	777

G90-M99/06	1LT 90-LINE BRILLIANT SILVER	1	518
G90-M1-1	1LT 90 LINE EFFECT ADDITIVE	7	3094
G90-IC440-1	1LT 90 LINE INTERIOR MIXING CLEAR	1	791
G90-M4S	5LT 90-LINE MIXING CLEAR SLOW	46	13340
G93-E3S	5LT 90-LINE THINNER ADDITIVE SLOW	34	9316
G93-M010	0.5LT 90-LINE PEARL WHITE	4	1088
G93-M011	0.5LT 90-LINE PEARL SILVER WHITE	2	544
G93-M363	0.5LT 90-LINE PEARL RED	1	272
G93-M364	0.5LT 90-LINE PEARL RED	1	272
G93-M505	0.5LT 90-LINE PEARL BLUE	3	816
G93-M506	0.5LT 90-LINE PEARL BLUE	2	544
G98-M919	0.5LT 90 LINE DIAMOND SILVER	2	564
G98-A097	0.5LT 90-LINE MULTI EFFECT WHITE	1	282
G68-1	1lt 68 LINE MIXED COLOUR	2	800
G68-1/2	1/2lt 68 LINE MIXED COLOUR	1	200
G90-M50	1LT 90 LINE M 50 BLENDING CLEAR	2	730
G922-38-0.5	0.5lt 66 LINE NORMAL HARDENER	2	110
G93-IC330-0.5	0.5LT 90 LINE INTERIOR ADDITIVE	1	238
	Product Type 'G30' Total		529158
M50417	1LT 3M FAST CUT PLUS	40	14480
M5098	409G 3M RED ACRYLIC PUTTY	1	173
M8158	474ML AEROSOL BODY GUARD BLACK	6	1992
M8861	1LT BODY SCHUTZ COATING	15	6930
M8879	1LT TEXTURED STONECHIP GREY	-1	-560
M8919	1LT CAVITY WAX TRANSPAPANT	42	20790
M9376	1LT PERFECT-IT 111 MACHINE POLISH	2	480
	Product Type 'M05' Total		44285
PERSTD-25	25LT PERFECTION STANDARD THINNERS	21	435750
PERSTRIP-5	5LT PAINT STRIPPER PERFECTION	1	4050
	Product Type 'P01' Total		439800
OMS-W	310ML WHITE PU SEALER	14	252
	Product Type 'P40' Total		252
SIMP15	500ML AEROSOL BLACK GLOSS	4	1380
SIMP16	500ML AEROSOL SATIN BLACK	12	4680
PRO25A	600ML HOLTS PROFESIONAL BRAKE CLEANER	1	356
	Product Type 'S55' Total		6416
T158 18T	400ml AEROSOL ZINC SPRAY	17	1972
	Product Type 'T28' Total		1972
THIN25	25LT WASTE THINNERS	23	-340101
	Product Type 'T42' Total		-340101
G285-55-3	3LT HS VOC PRIMER FILLER BLACK**OBS***	20	24688
G285-65-3	3LT UNIVERSAL HS VOC PRIMER FILLER**OBS*	13	16094
	Product Type 'Z99' Total		40782
	A/c R7010 Rackham Auto Body Centr total		776132
	Grand Total		776132

Logout